

Ambient condition:

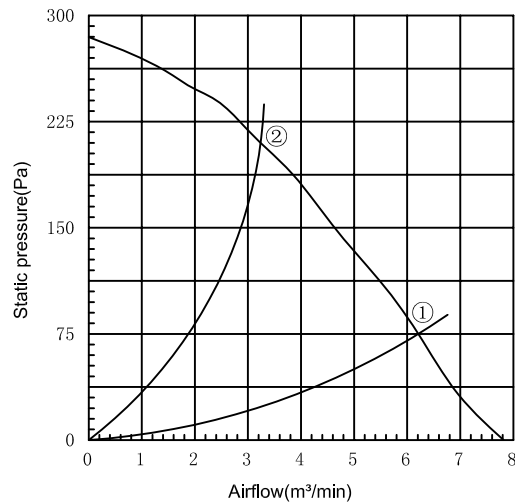
1. Temperature: -25℃~65℃
2. Relative humidity: ≤ 90%
3. Atmospheric pressure: 55Kpa(4000m)
4. Vibration: 10~55Hz, double amplitude: 1.5mm
5. Impact: 150m/s²(Peak acceleration)

Number of blades=7

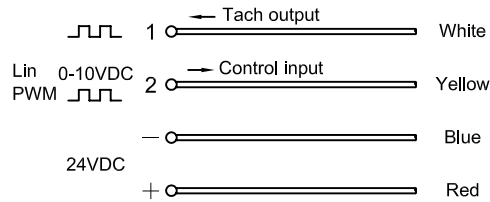
Nominal data:

Voltage	24VDC
Voltage range	16~28VDC
Current draw	2.1A
Power input	48W
Speed	3100r/min
Airflow	7.8 m ³ /min
Static pressure	290Pa
Noise level	65dB(A)
Mass	1.2kg
Life time(40℃)	40,000 hours

Characteristics:

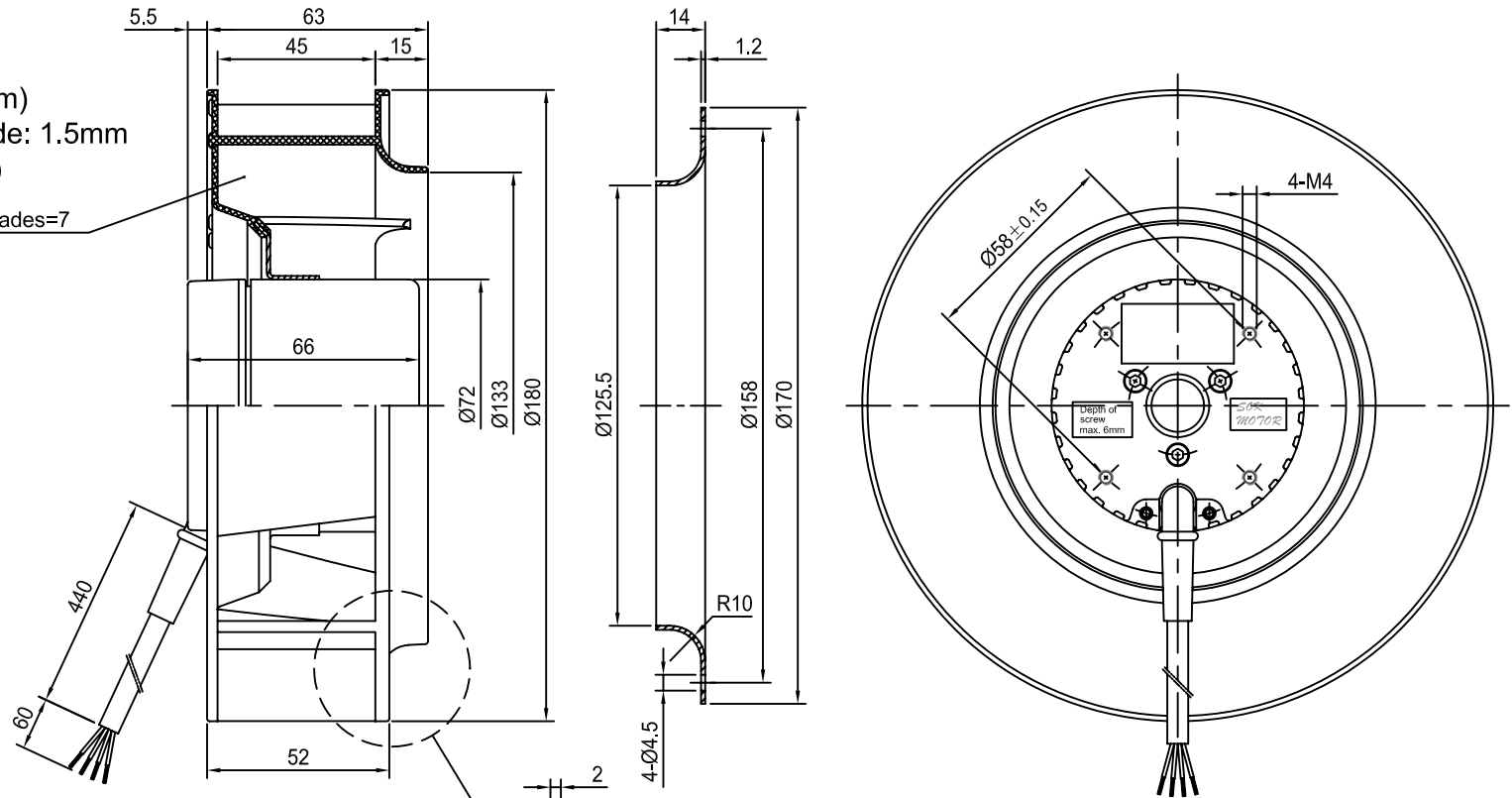


Wiring diagram:



Operating zone:

Point	Speed	Static pressure	Airflow
①	3150r/min	75Pa	6.2m ³ /min
②	3030r/min	210Pa	3.2m ³ /min



Specification	Code: S02-5
	EC Backward Curved Fan
	P/N: E1H180WY02-3
Suzhou SOK Motor Mfg. Co.,Ltd.	