

**Ambient condition:**

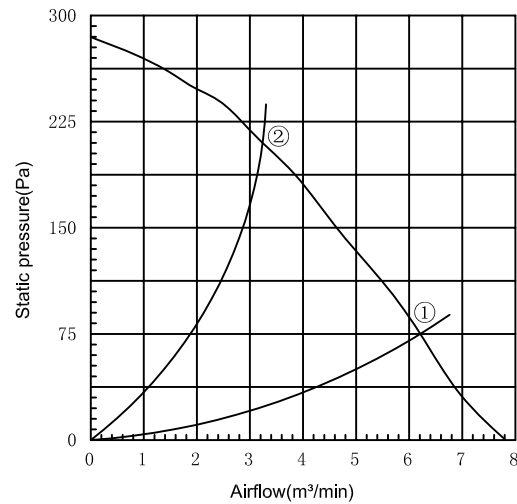
1. Temperature: -25℃~65℃
2. Relative humidity: ≤ 90%
3. Atmospheric pressure: 55Kpa(4000m)
4. Vibration: 10~55Hz, double amplitude: 1.5mm
5. Impact: 150m/s<sup>2</sup>(Peak acceleration)

Number of blades=7

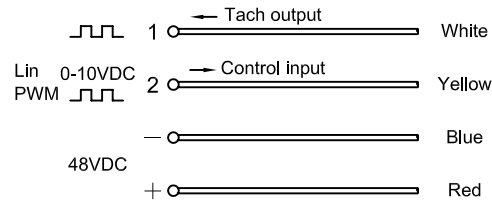
**Nominal data:**

Voltage	48VDC
Voltage range	36~57VDC
Current draw	1.1A
Power input	48W
Speed	3100r/min
Airflow	7.8 m <sup>3</sup> /min
Static pressure	290Pa
Noise level	65dB(A)
Mass	1.2kg
Life time(40℃)	40,000 hours

**Characteristics:**

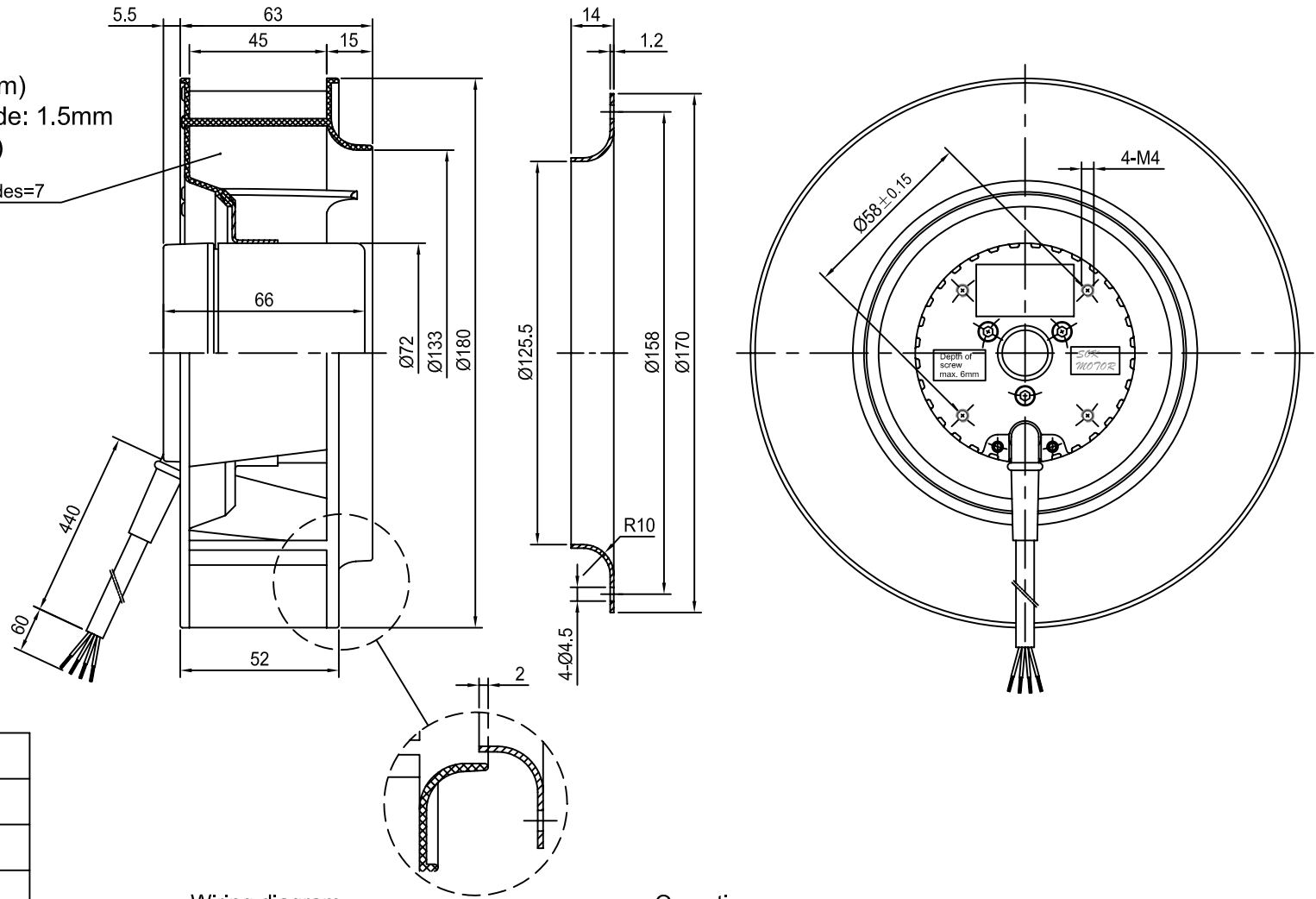


**Wiring diagram:**



**Operating zone:**

Point	Speed	Static pressure	Airflow
①	3150r/min	75Pa	6.2m <sup>3</sup> /min
②	3030r/min	210Pa	3.2m <sup>3</sup> /min



**Specification**

Code: S02-6  
 EC Backward Curved Fan  
 P/N: E1H180WY03-3

**Suzhou SOK Motor Mfg. Co.,Ltd.**