

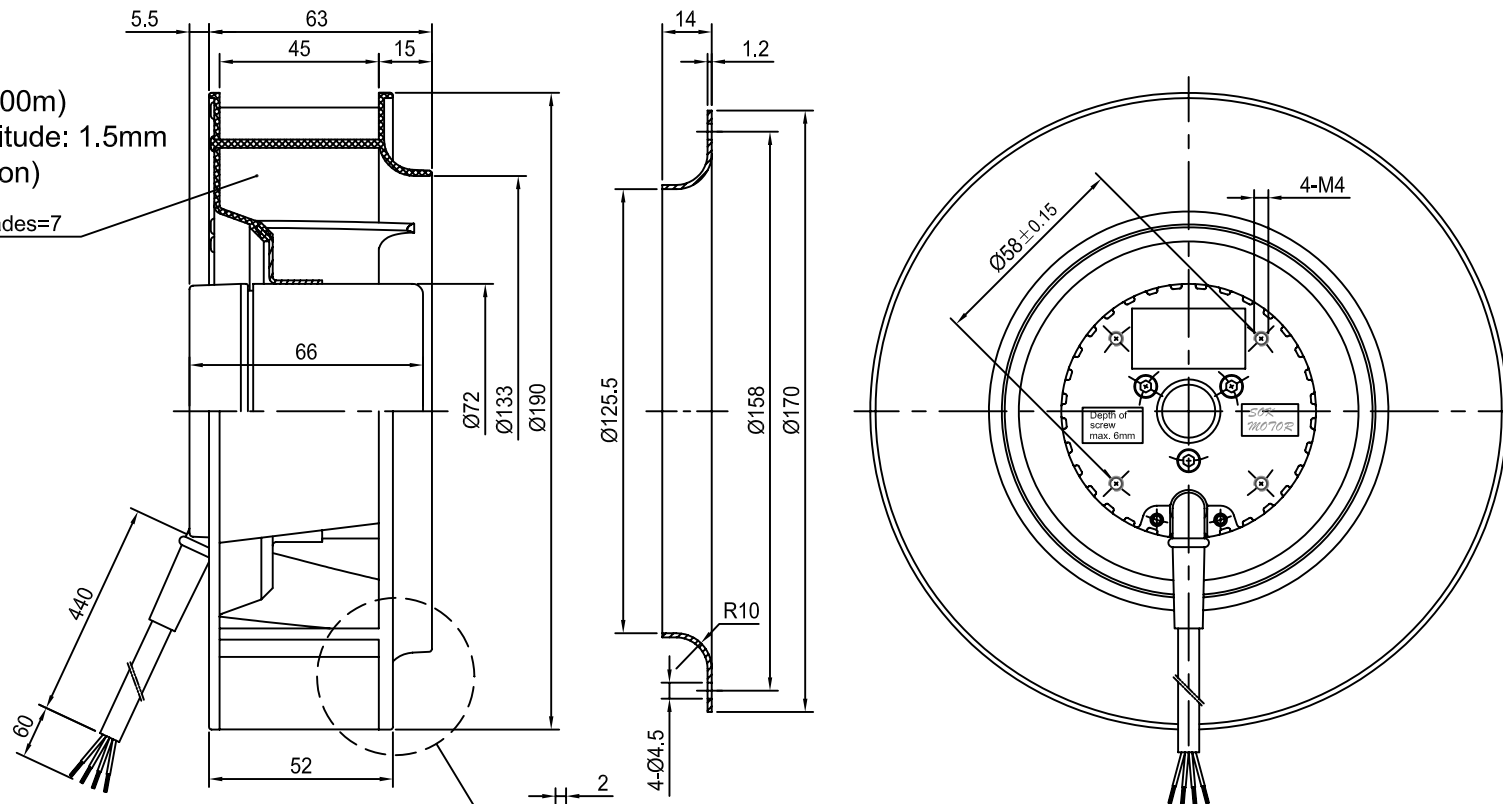
Ambient condition:

1. Temperature: -25°C~65°C
2. Relative humidity: ≤ 90%
3. Atmospheric pressure: 55Kpa(4000m)
4. Vibration: 10~55Hz, double amplitude: 1.5mm
5. Impact: 150m/s<sup>2</sup>(Peak acceleration)

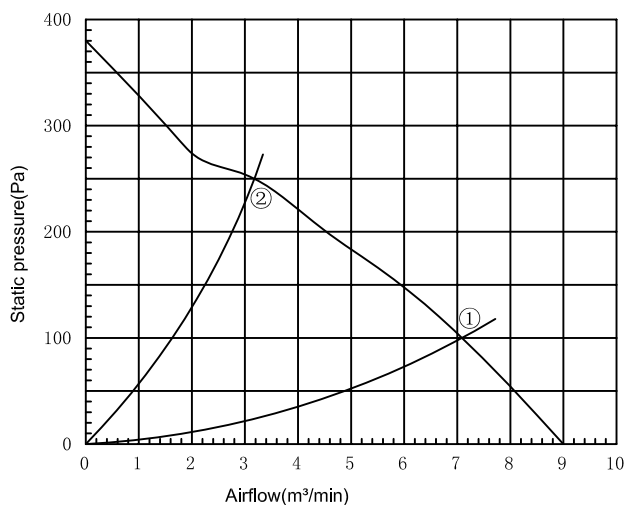
Number of blades=7

Nominal data:

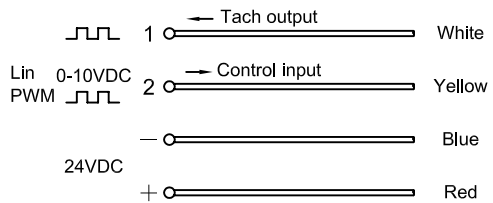
Voltage	24VDC
Voltage range	16~28VDC
Current draw	2.2A
Power input	52W
Speed	2950r/min
Airflow	9.0 m <sup>3</sup> /min
Static pressure	380Pa
Noise level	68dB(A)
Mass	1.22kg
Life time(40°C)	40,000 hours



Characteristics:



Wiring diagram:



Operating zone:

Point	Speed	Static pressure	Airflow
①	2850r/min	100Pa	7.1m <sup>3</sup> /min
②	2800r/min	250Pa	3.2m <sup>3</sup> /min

<b>Specification</b>	Code: S03-3
	EC Backward Curved Fan
	P/N: E1H190WY02-2
<b>Suzhou SOK Motor Mfg. Co.,Ltd.</b>	