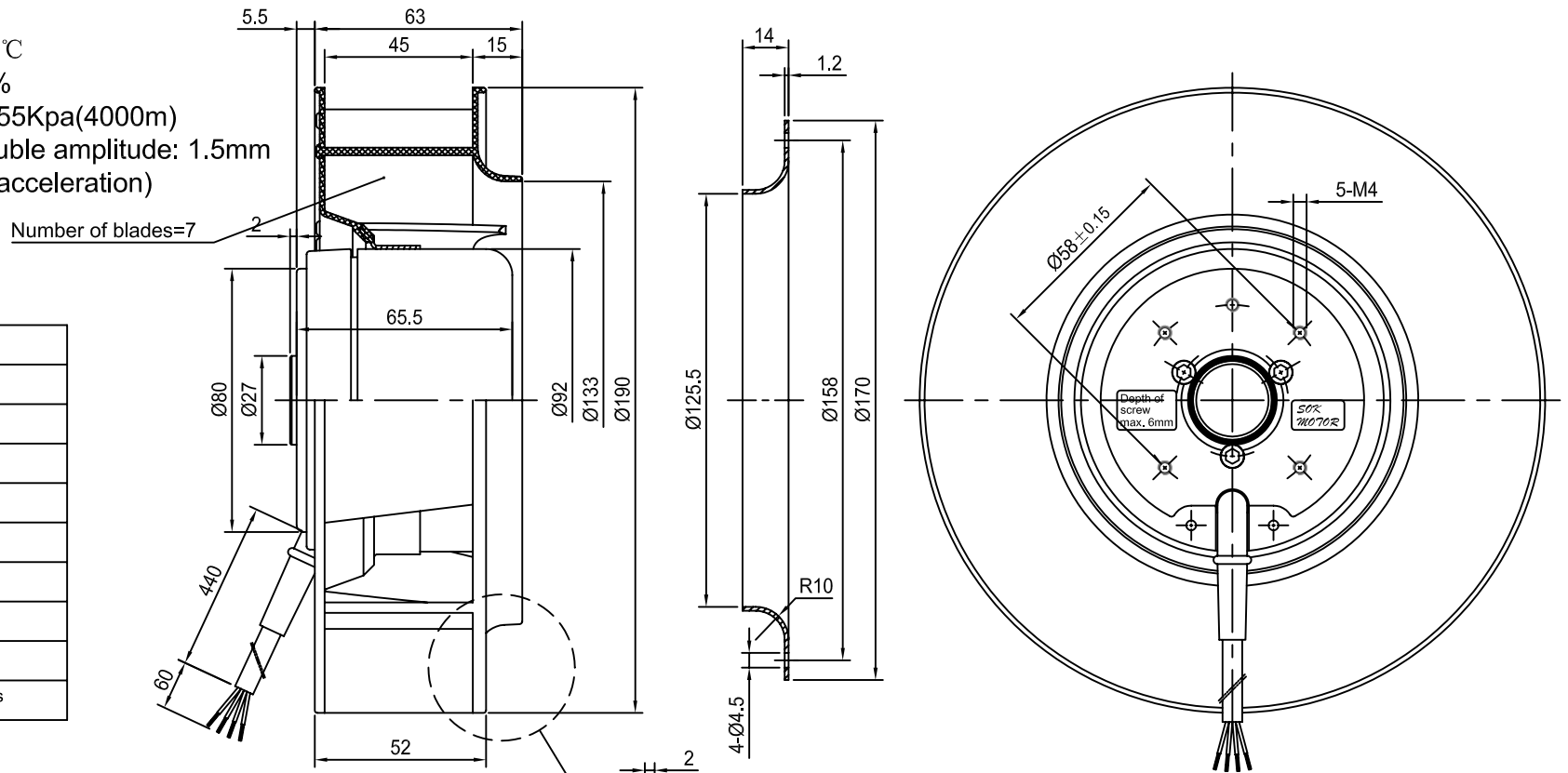


**Ambient condition:**

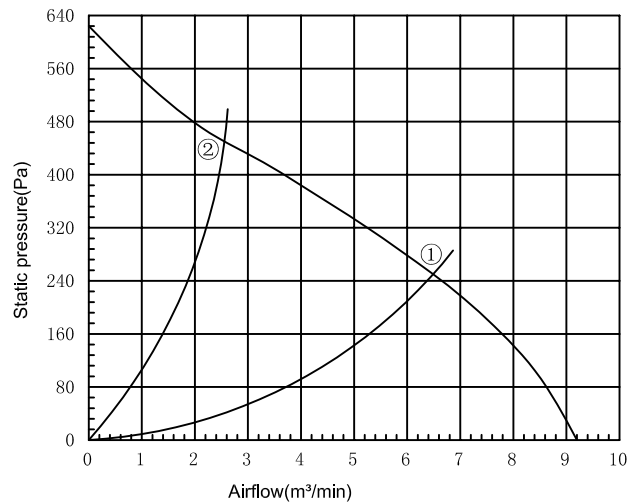
1. Temperature: -25℃~65℃
2. Relative humidity: ≤ 90%
3. Atmospheric pressure: 55Kpa(4000m)
4. Vibration: 10~55Hz, double amplitude: 1.5mm
5. Impact: 150m/s<sup>2</sup>(Peak acceleration)

**Nominal data:**

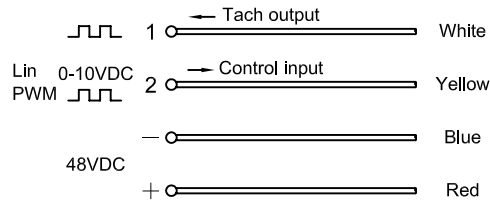
Voltage	48VDC
Voltage range	36~57VDC
Current draw	1.9A
Power input	82W
Speed	3250r/min
Airflow	9.2 m <sup>3</sup> /min
Static pressure	620Pa
Noise level	68dB(A)
Mass	1.6kg
Life time(40℃)	40,000 hours



**Characteristics:**



**Wiring diagram:**



**Operating zone:**

Point	Speed	Static pressure	Airflow
①	3270r/min	250Pa	6.5m <sup>3</sup> /min
②	3360r/min	450Pa	2.5m <sup>3</sup> /min

<b>Specification</b>	Code: S03-6
	EC Backward Curved Fan
	P/N: E1H190WY03-3
<b>Suzhou SOK Motor Mfg. Co.,Ltd.</b>	