

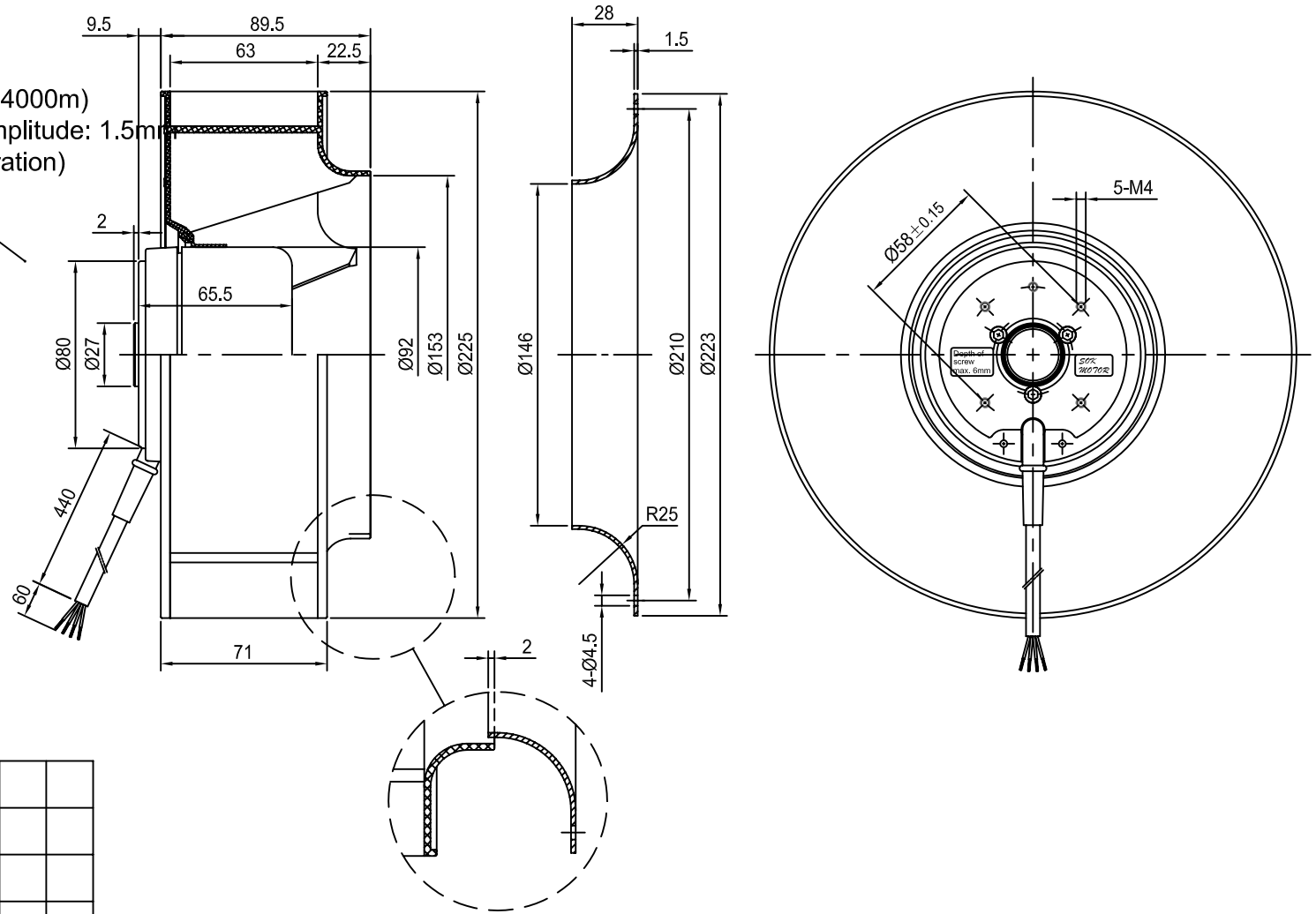
**Ambient condition:**

1. Temperature:  $-25^{\circ}\text{C} \sim 65^{\circ}\text{C}$
2. Relative humidity:  $\leq 90\%$
3. Atmospheric pressure: 55Kpa(4000m)
4. Vibration: 10~55Hz, double amplitude: 1.5mm
5. Impact: 150m/s<sup>2</sup>(Peak acceleration)

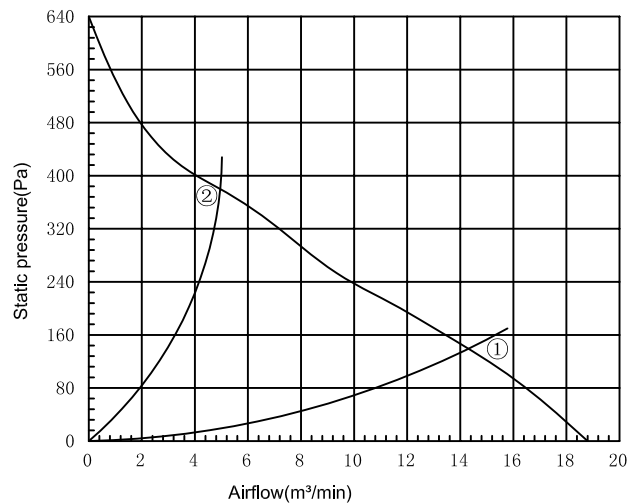
Number of blades=7

**Nominal data:**

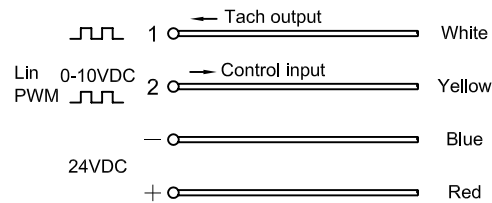
Voltage	24VDC
Voltage range	16~28VDC
Current draw	4.6A
Power input	102W
Speed	2600r/min
Airflow	18.7m <sup>3</sup> /min
Static pressure	640Pa
Noise level	68dB(A)
Mass	1.9kg
Life time(40℃)	40,000 hours



**Characteristics:**



**Wiring diagram:**



**Operating zone:**

Point	Speed	Static pressure	Airflow
①	2520r/min	140Pa	14.35m <sup>3</sup> /min
②	2580r/min	380Pa	4.95m <sup>3</sup> /min

<b>Specification</b>	Code: S04-1
	EC Backward Curved Fan
	P/N: E1H225WY02-1
<b>Suzhou SOK Motor Mfg. Co.,Ltd.</b>	