

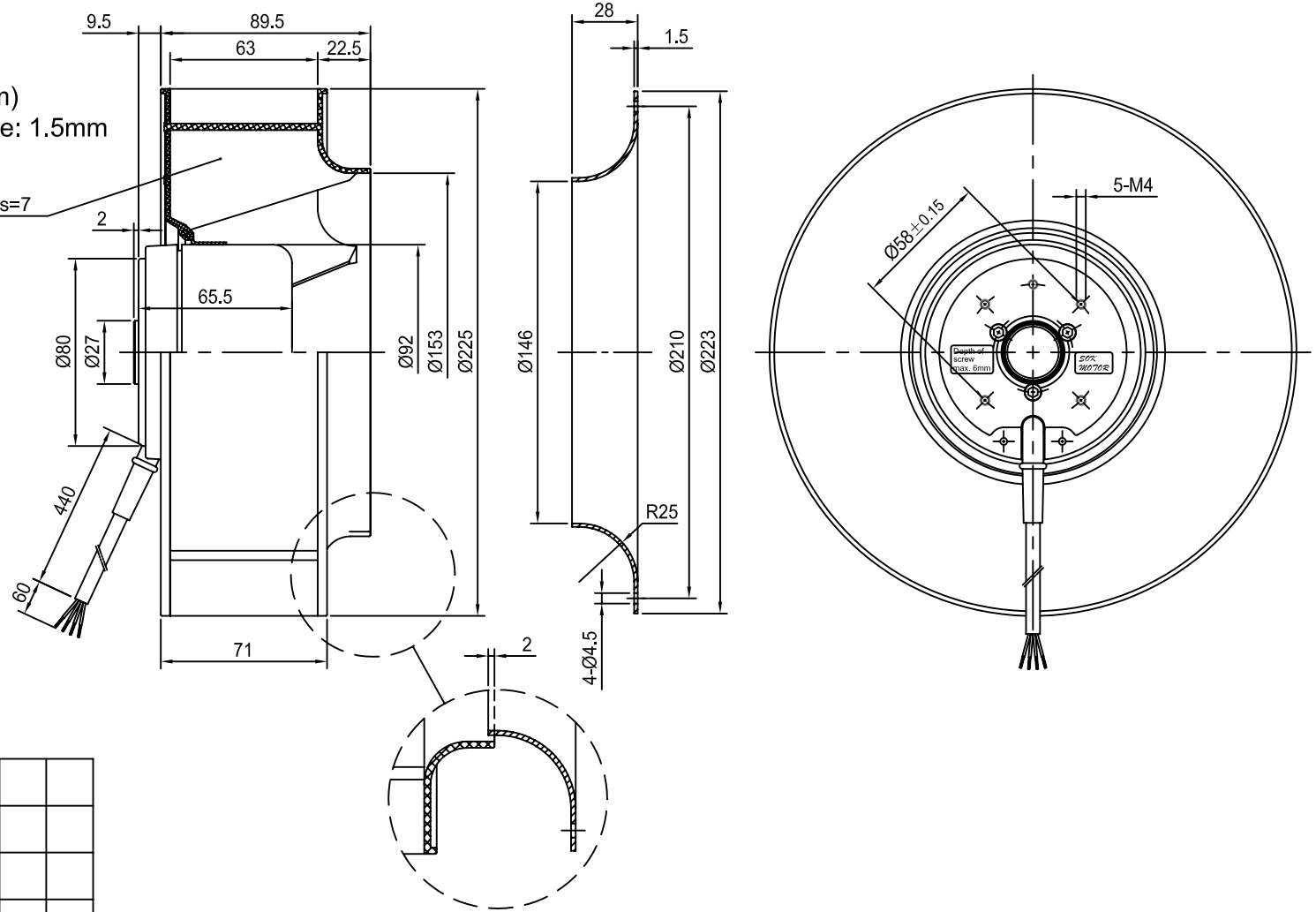
Ambient condition:

1. Temperature:  $-25^{\circ}\text{C} \sim 65^{\circ}\text{C}$
2. Relative humidity:  $\leq 90\%$
3. Atmospheric pressure: 55Kpa(4000m)
4. Vibration: 10~55Hz, double amplitude: 1.5mm
5. Impact: 150m/s<sup>2</sup>(Peak acceleration)

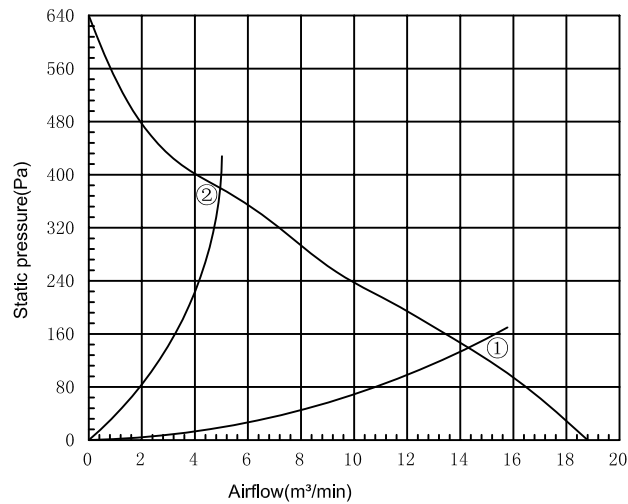
Nominal data:

Voltage	48VDC
Voltage range	36~57VDC
Current draw	2.3A
Power input	102W
Speed	2600r/min
Airflow	18.7 m <sup>3</sup> /min
Static pressure	640Pa
Noise level	68dB(A)
Mass	1.9kg
Life time(40℃)	40,000 hours

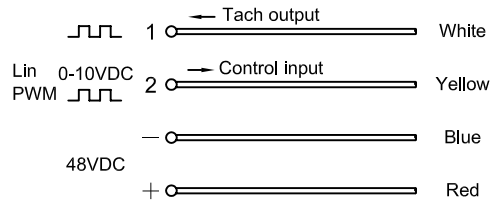
Number of blades=7



Characteristics:



Wiring diagram:



Operating zone:

Point	Speed	Static pressure	Airflow
①	2520r/min	140Pa	14.35m <sup>3</sup> /min
②	2580r/min	380Pa	4.95m <sup>3</sup> /min

Specification

Code:	S04-2
	EC Backward Curved Fan
P/N:	E1H225WY03-1

Suzhou SOK Motor Mfg. Co.,Ltd.