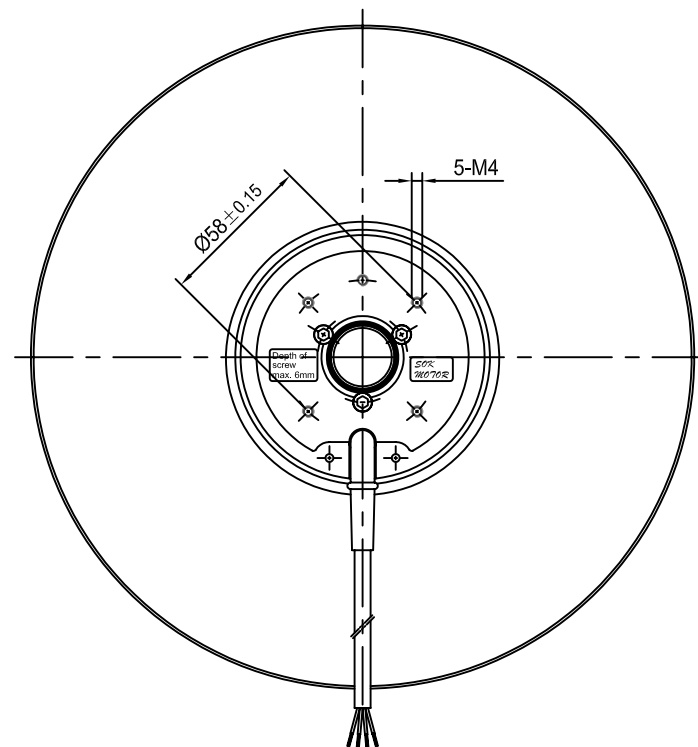
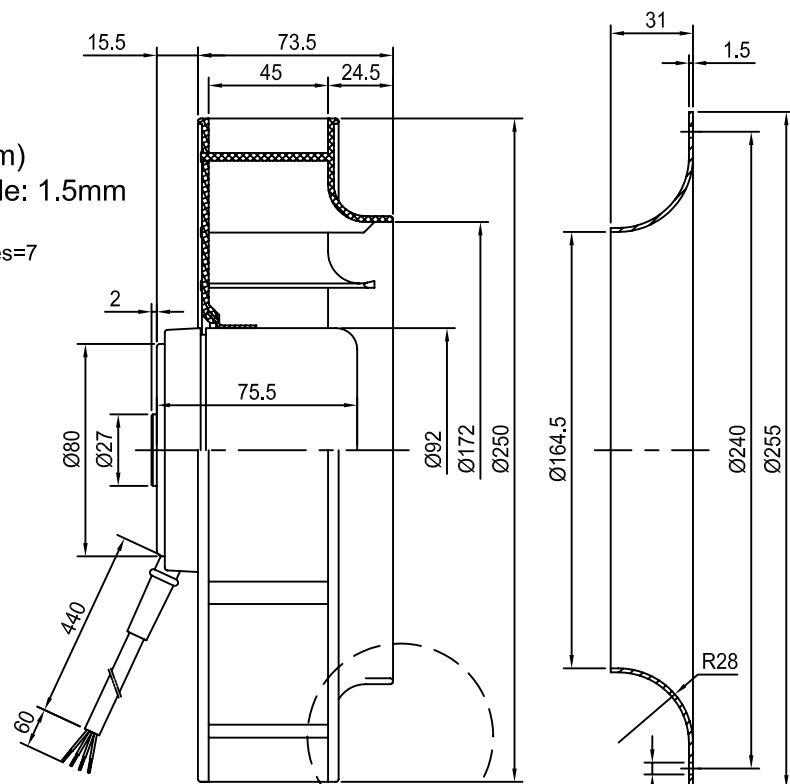


**Ambient condition:**

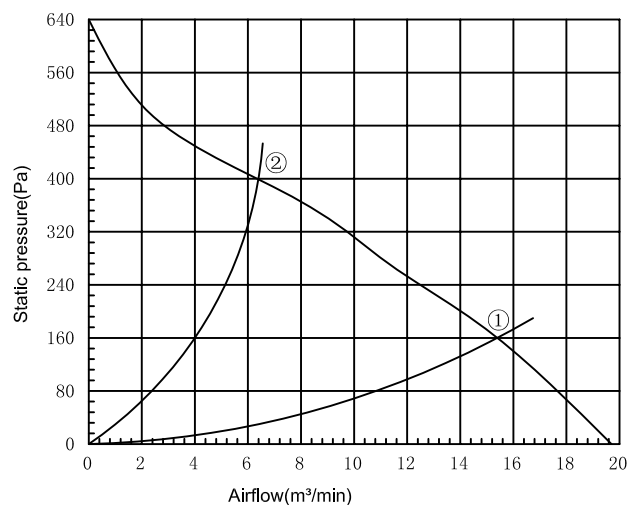
1. Temperature: -25℃~65℃
  2. Relative humidity: ≤ 90%
  3. Atmospheric pressure: 55Kpa(4000m)
  4. Vibration: 10~55Hz, double amplitude: 1.5mm
  5. Impact: 150m/s<sup>2</sup>(Peak acceleration)
- Number of blades=7

**Nominal data:**

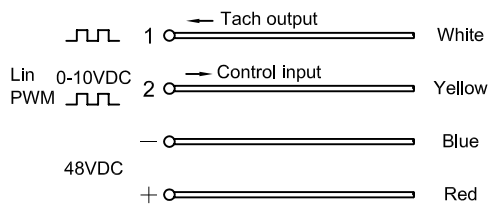
Voltage	48VDC
Voltage range	36~57VDC
Current draw	2.3A
Power input	105W
Speed	2600r/min
Airflow	19.7 m <sup>3</sup> /min
Static pressure	640Pa
Noise level	72dB(A)
Mass	1.9kg
Life time(40℃)	40,000 hours



**Characteristics:**



**Wiring diagram:**



**Operating zone:**

Point	Speed	Static pressure	Airflow
①	2500r/min	160Pa	15.4m <sup>3</sup> /min
②	2400r/min	400Pa	6.4m <sup>3</sup> /min

<b>Specification</b>	Code: S05-2
	EC Backward Curved Fan
	P/N: E1H250WY03-1
<b>Suzhou SOK Motor Mfg. Co.,Ltd.</b>	