

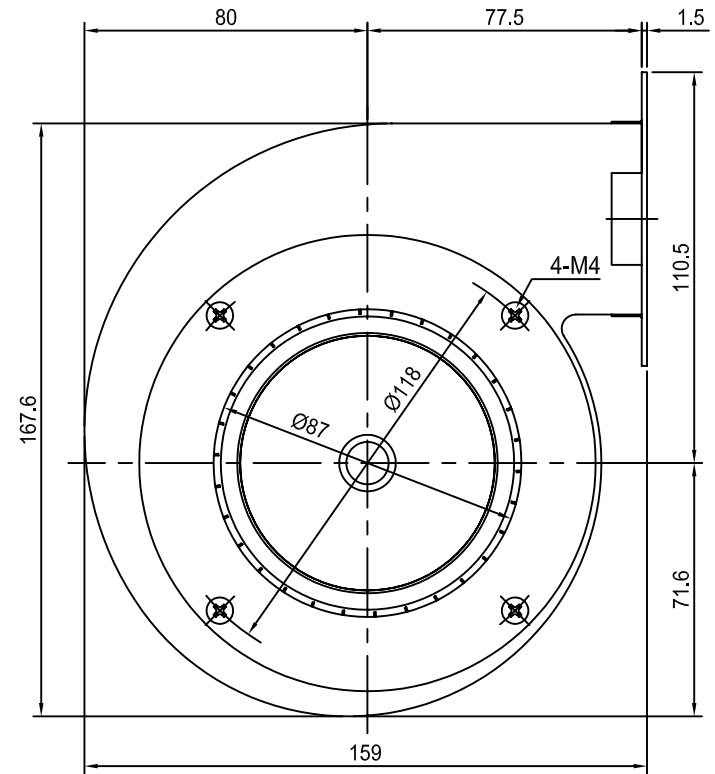
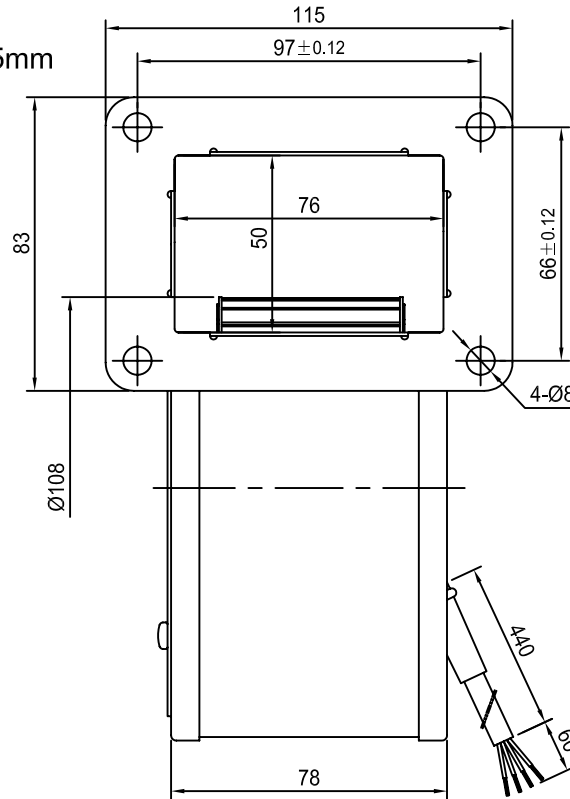
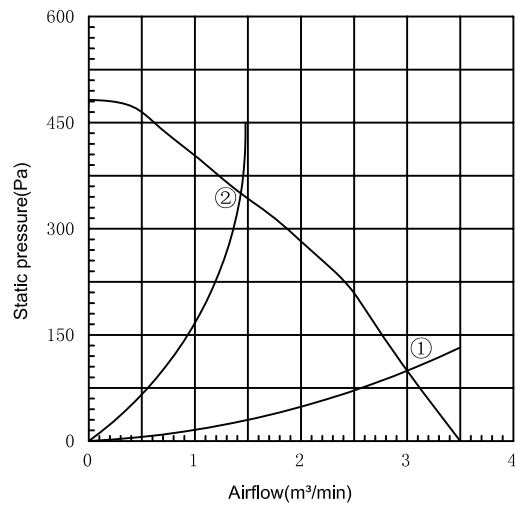
**Ambient condition:**

1. Temperature: -25℃~65℃
2. Relative humidity: ≤ 90%
3. Atmospheric pressure: 55Kpa(4000m)
4. Vibration: 10~55Hz, double amplitude: 1.5mm
5. Impact: 150m/s<sup>2</sup>(Peak acceleration)

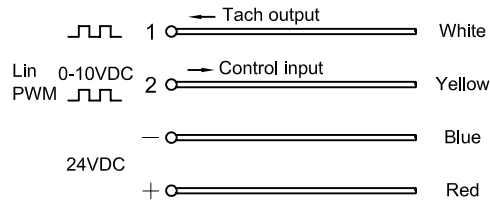
**Nominal data:**

Voltage	24VDC
Voltage range	16~28VDC
Current draw	2.0A
Power input	42W
Speed	2880r/min
Airflow	3.5 m <sup>3</sup> /min
Static pressure	450Pa
Noise level	65dB(A)
Mass	1.5kg
Life time(40℃)	40,000 hours

**Characteristics:**



**Wiring diagram:**



**Operating zone:**

Point	Speed	Static pressure	Airflow
①	3050r/min	100Pa	3.0m <sup>3</sup> /min
②	3700r/min	350Pa	1.4m <sup>3</sup> /min

<b>Specification</b>	Code: R03-1
	EC Centrifugal Blower
	P/N: E1L108WY02-1
<b>Suzhou SOK Motor Mfg. Co.,Ltd.</b>	