

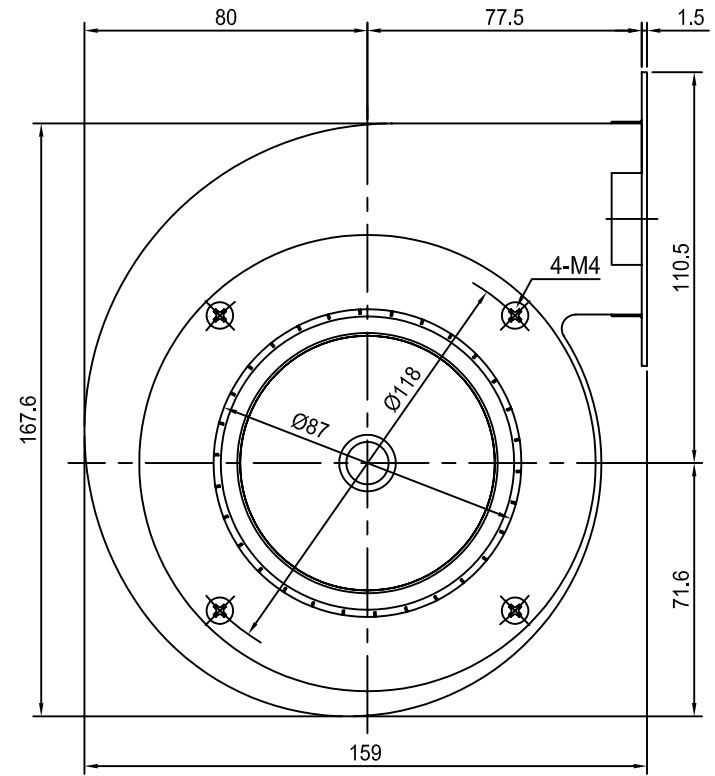
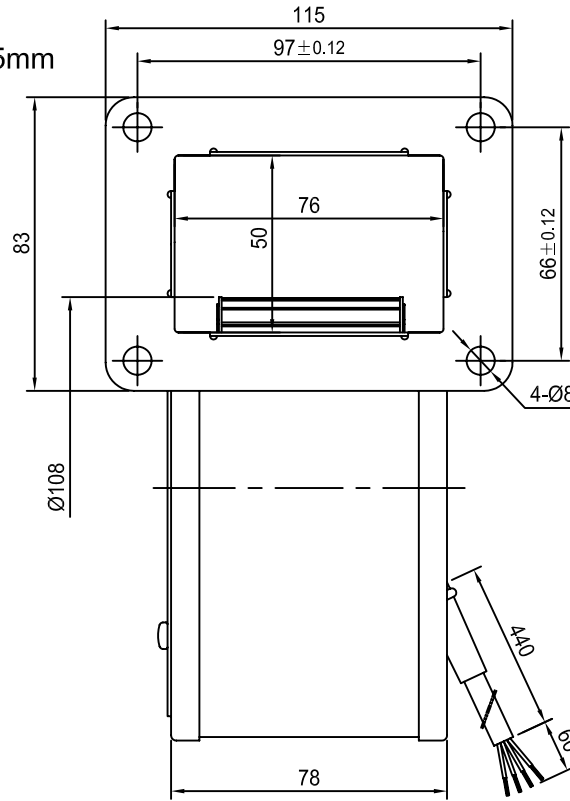
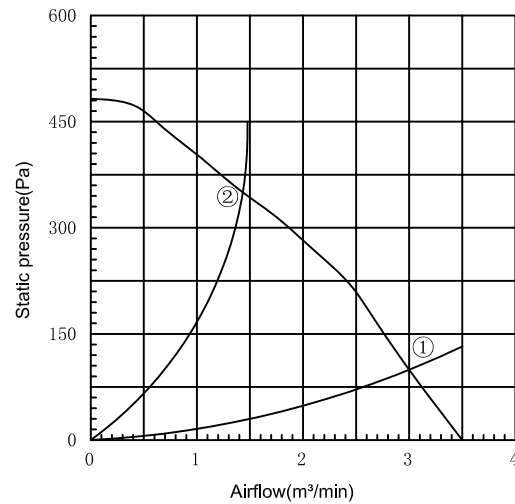
**Ambient condition:**

1. Temperature: -25℃~65℃
2. Relative humidity: ≤ 90%
3. Atmospheric pressure: 55Kpa(4000m)
4. Vibration: 10~55Hz, double amplitude: 1.5mm
5. Impact: 150m/s2(Peak acceleration)

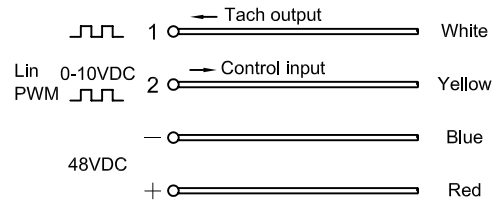
**Nominal data:**

Voltage	48VDC
Voltage range	36~57VDC
Current draw	1.0A
Power input	44W
Speed	2880r/min
Airflow	3.5 m³/min
Static pressure	450Pa
Noise level	65dB(A)
Mass	1.5kg
Life time(40℃)	40,000 hours

**Characteristics:**



**Wiring diagram:**



**Operating zone:**

Point	Speed	Static pressure	Airflow
①	3050r/min	100Pa	3.0m³/min
②	3700r/min	350Pa	1.4m³/min

<b>Specification</b>	Code: R03-2
	EC Centrifugal Blower
	P/N: E1L108WY03-1
<b>Suzhou SOK Motor Mfg. Co.,Ltd.</b>	