

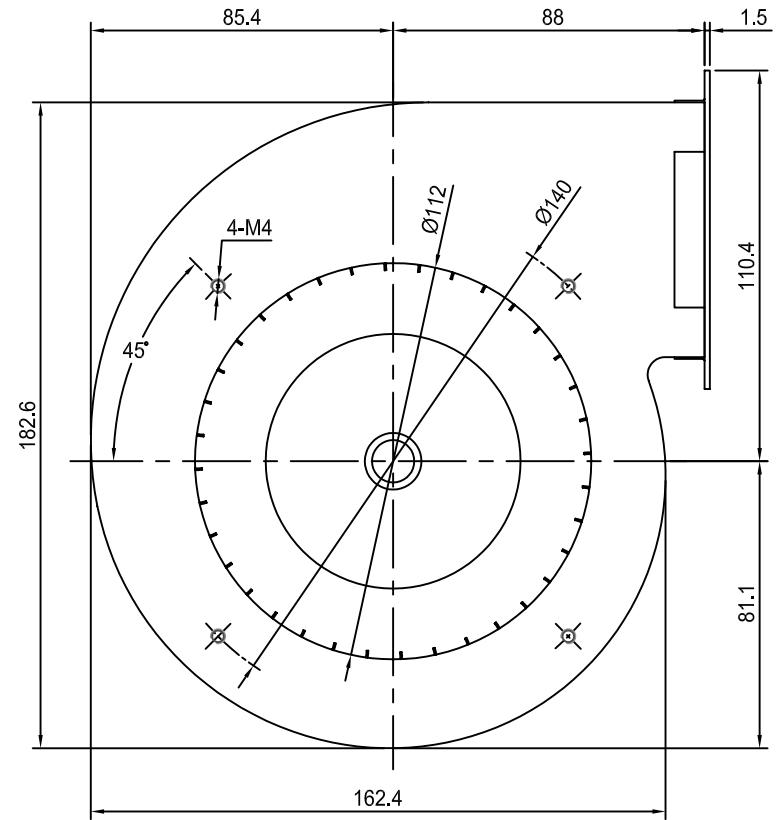
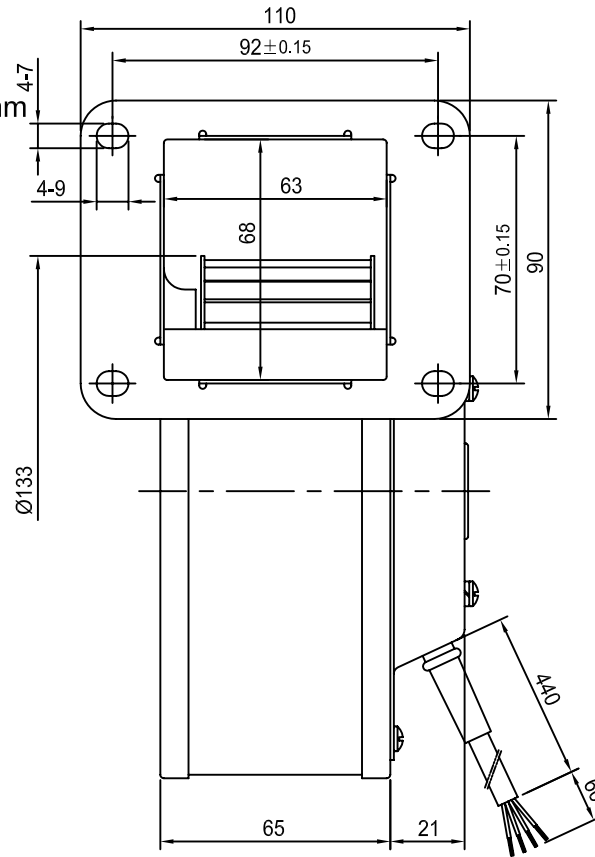
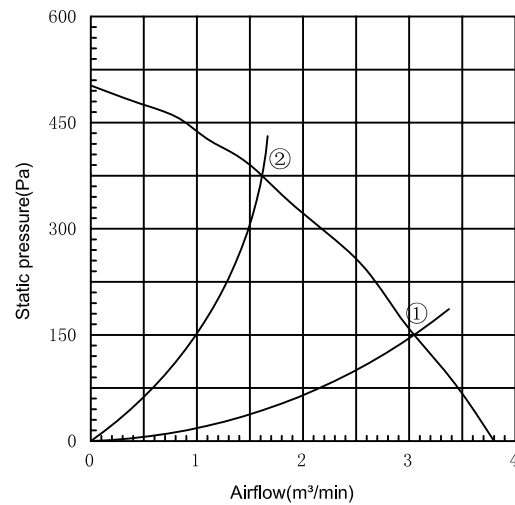
Ambient condition:

1. Temperature: $-25^{\circ}\text{C} \sim 65^{\circ}\text{C}$
2. Relative humidity: $\leq 90\%$
3. Atmospheric pressure: 55Kpa(4000m)
4. Vibration: 10~55Hz, double amplitude: 1.5mm
5. Impact: 150m/s²(Peak acceleration)

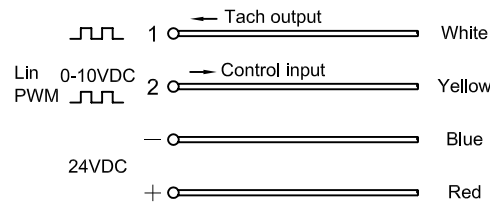
Nominal data:

Voltage	24VDC
Voltage range	16~28VDC
Current draw	2.3A
Power input	45W
Speed	2050r/min
Airflow	3.8 m ³ /min
Static pressure	500Pa
Noise level	65dB(A)
Mass	1.5kg
Life time(40℃)	40,000 hours

Characteristics:



Wiring diagram:



Operating zone:

Point	Speed	Static pressure	Airflow
①	2350r/min	150Pa	3.0m ³ /min
②	3000r/min	375Pa	1.6m ³ /min

Specification

Code:	R02-1
	EC Centrifugal Blower
P/N:	E1L130WY02-1

Suzhou SOK Motor Mfg. Co.,Ltd.