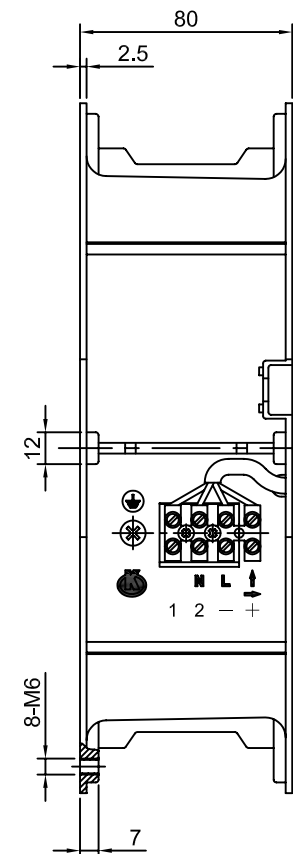
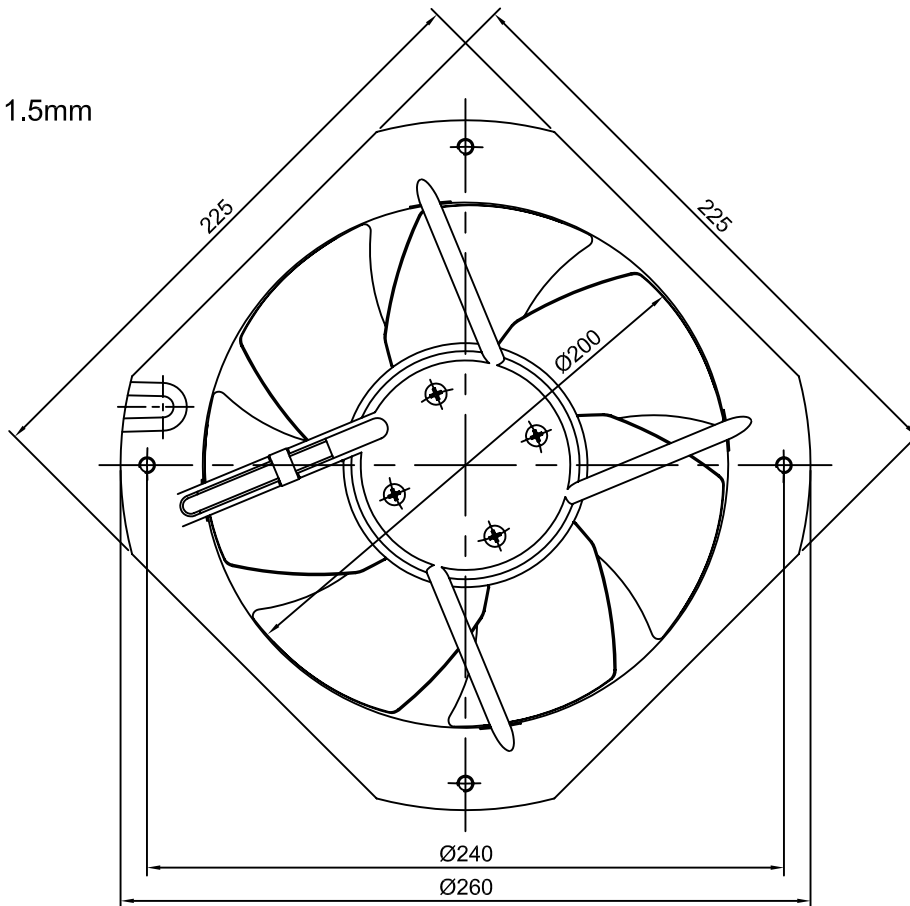


Ambient condition:

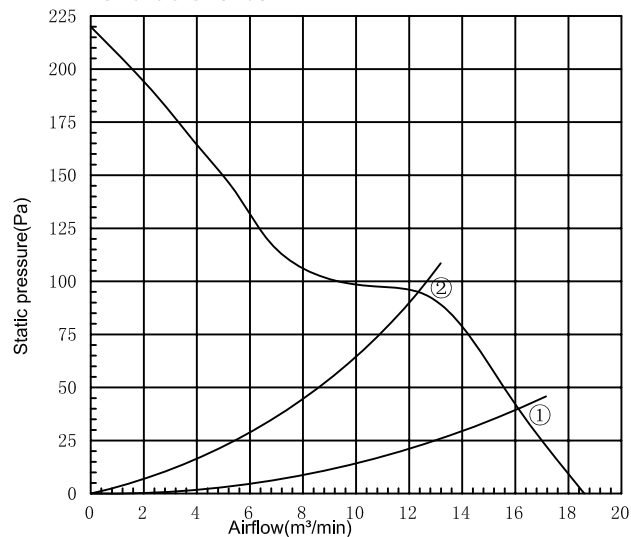
1. Temperature: -25℃~65℃
2. Relative humidity: ≤ 90%
3. Atmospheric pressure: 55Kpa(4000m)
4. Vibration: 10~55Hz, double amplitude: 1.5mm
5. Impact: 150m/s²(Peak acceleration)

Nominal data:

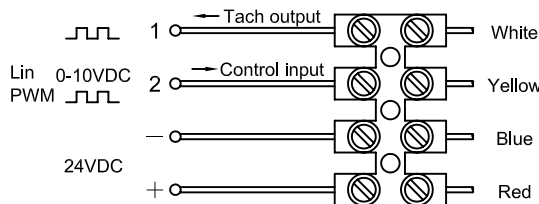
Voltage	24VDC
Voltage range	16~28VDC
Current draw	2.4A
Power input	55W
Speed	3050r/min
Airflow	18.5 m ³ /min
Static pressure	220Pa
Noise level	62dB(A)
Mass	2.1kg
Life time(40℃)	40,000 hours



Characteristics:



Wiring diagram:



Operating zone:

Point	Speed	Static pressure	Airflow
①	3000r/min	40Pa	16.12m ³ /min
②	2820r/min	95Pa	12.35m ³ /min

Specification	Code: Q01-1
	EC Axial Fan
	P/N: E1Z200WZ02-1
Suzhou SOK Motor Mfg. Co.,Ltd.	