

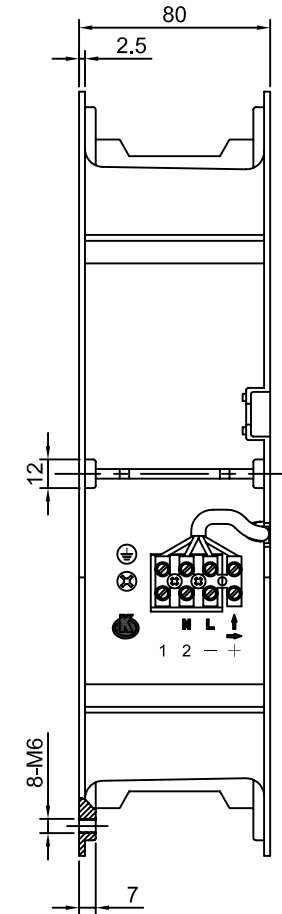
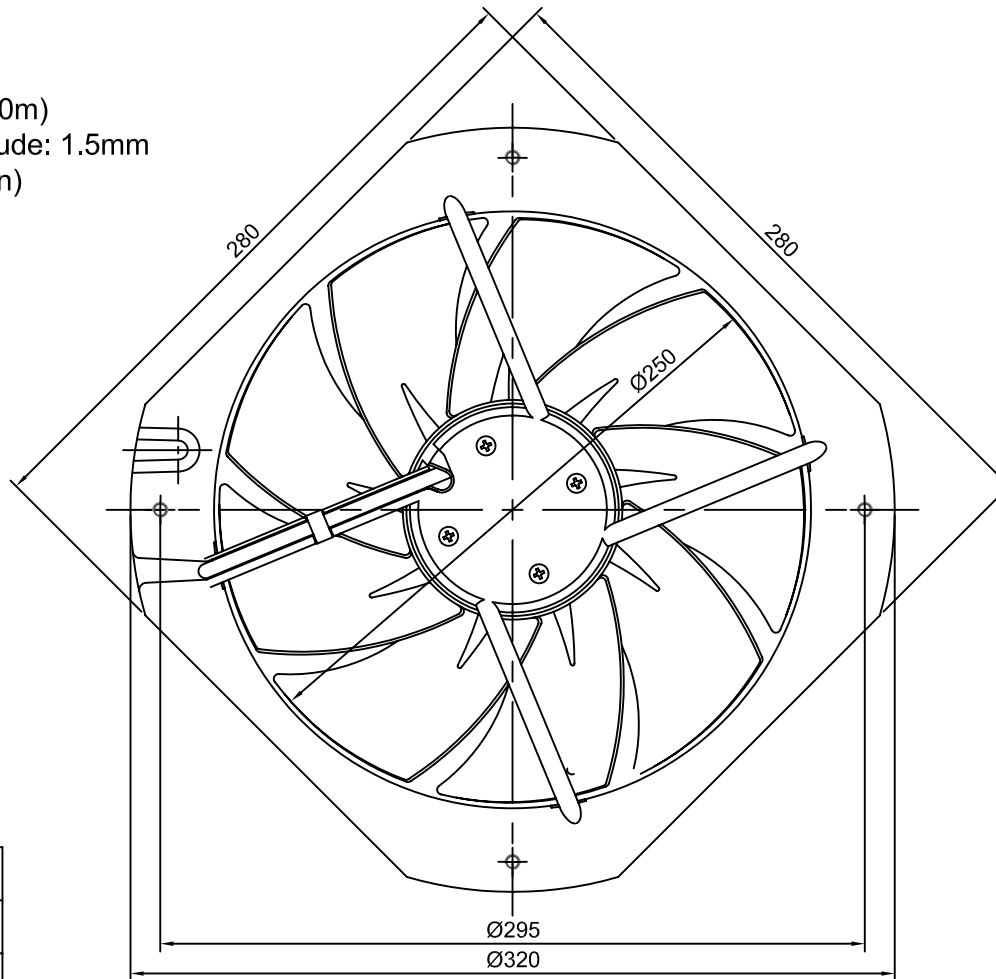
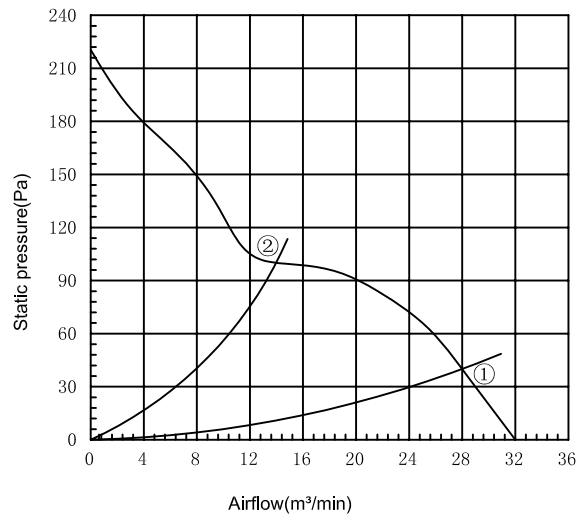
**Ambient condition:**

1. Temperature: -25℃~65℃
2. Relative humidity: ≤ 90%
3. Atmospheric pressure: 55Kpa(4000m)
4. Vibration: 10~55Hz, double amplitude: 1.5mm
5. Impact: 150m/s<sup>2</sup>(Peak acceleration)

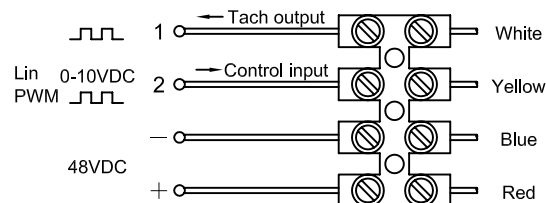
**Nominal data:**

Voltage	48VDC
Voltage range	36~57VDC
Current draw	2.6A
Power input	106W
Speed	2750r/min
Airflow	32 m <sup>3</sup> /min
Static pressure	220Pa
Noise level	70dB(A)
Mass	2.4kg
Life time(40℃)	40,000 hours

**Characteristics:**



**Wiring diagram:**



**Operating zone:**

Point	Speed	Static pressure	Airflow
①	2600r/min	40Pa	28.0m <sup>3</sup> /min
②	2450r/min	100Pa	14.0m <sup>3</sup> /min

**Specification**

Code:	Q02-2
	EC Axial Fan
P/N:	E1Z250WZ03-1

**Suzhou SOK Motor Mfg. Co.,Ltd.**